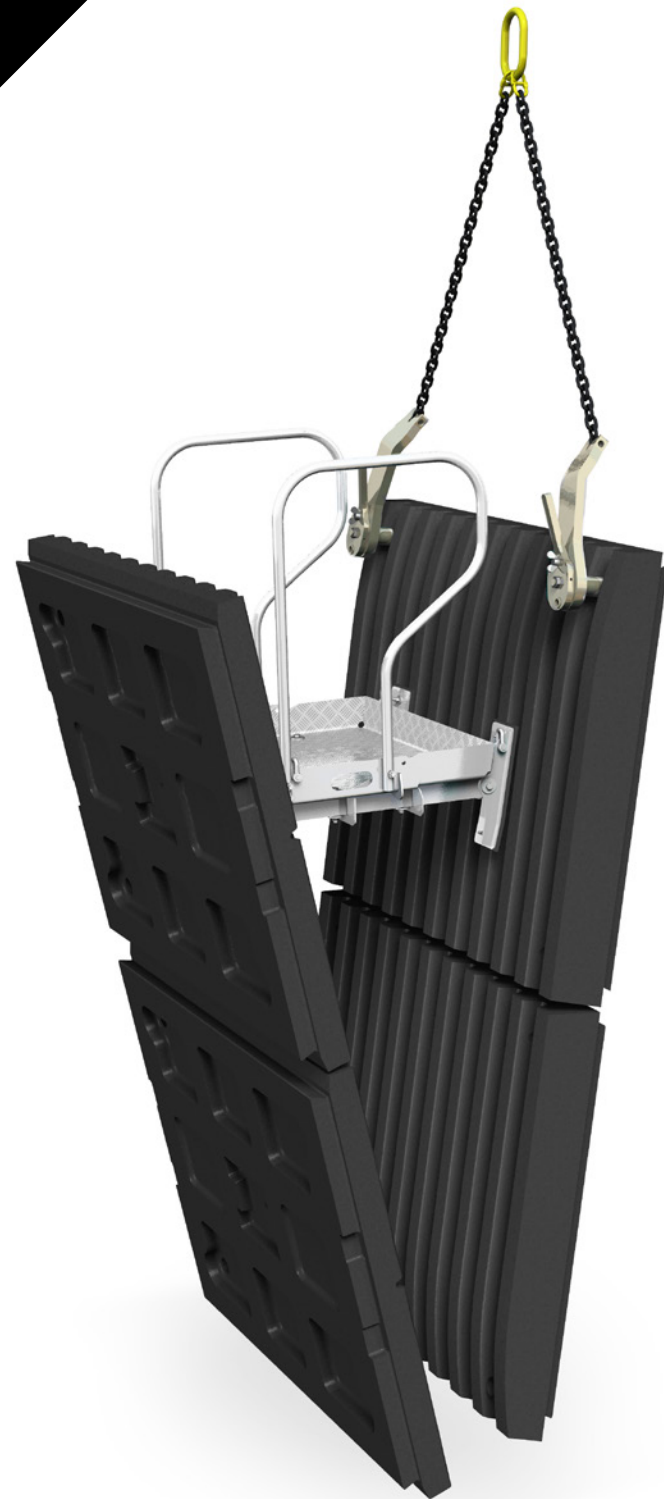


Metso

Fast and safe removal of wear parts

Crusher wears lifting tools for mining and aggregates

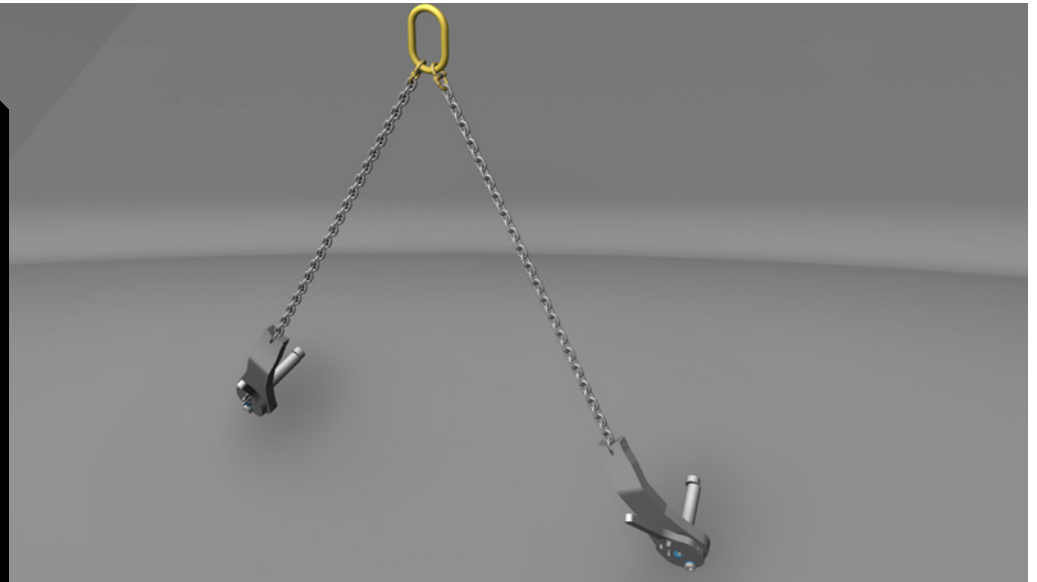


Metso

Jaw and cheek plate lifting tools

Application

Exclusively designed to lift Metso manufactured wear parts for Nordberg C jaw crushers.



Our crusher wear part lifting tools are designed with OEM expertise, making them the best choice to remove jaw and cheek plates from your Metso crushers.

Efficient crusher maintenance

Specially designed, fit-for-purpose tools makes wear part change-outs faster and more efficient. By using OEM parts, risk of damaging equipment is avoided. As a result, maintenance times are shortened and crusher downtime is reduced.

Improved safety and quality

To succeed in today's competitive environment, aggregate producers often seek to optimize their crusher maintenance. Using parts that last longer and make crusher maintenance easier and safer can make the big difference. Metso's specialty tools are developed with quality suppliers ensuring that high standards and tolerances are met.



Machine	Tool	Load limit kg	Item code
C80, C95, C96, C100, C105, C106, C116, C3054, C3055	Cheek plate lifting tool (Single chain)	500	MM0209814
C110, C120, C125, C130, C140, C145, C150, C160, C200	Cheek plate lifting tool (Single chain)	1,000	MM0209800
C80, C95, C96, C100, C105, C106, C125	Jaw plate lifting tool (Double chain)	1,500	MM0554187
C110, C116, C120, C130, C140, C145, C150 (2-piece), C160 (2-piece), C3054, C3055	Jaw plate lifting tool (Double chain)	2,800	MM0551477
C130 (1-piece), C150 (1-piece), C200	Jaw plate lifting tool (Double chain)	5,500	MM1077079
C160 (1-piece), C200	Jaw plate lifting tool (Double chain)	9,000	MM1397453
C160 (1-piece), C200	Jaw plate lifting tool (Double chain)	9,000	MM1721325

Benefits

- OEM design and assurance
- Improved safety and maintenance
- Reduced downtime with more efficient changeouts

Read more at:

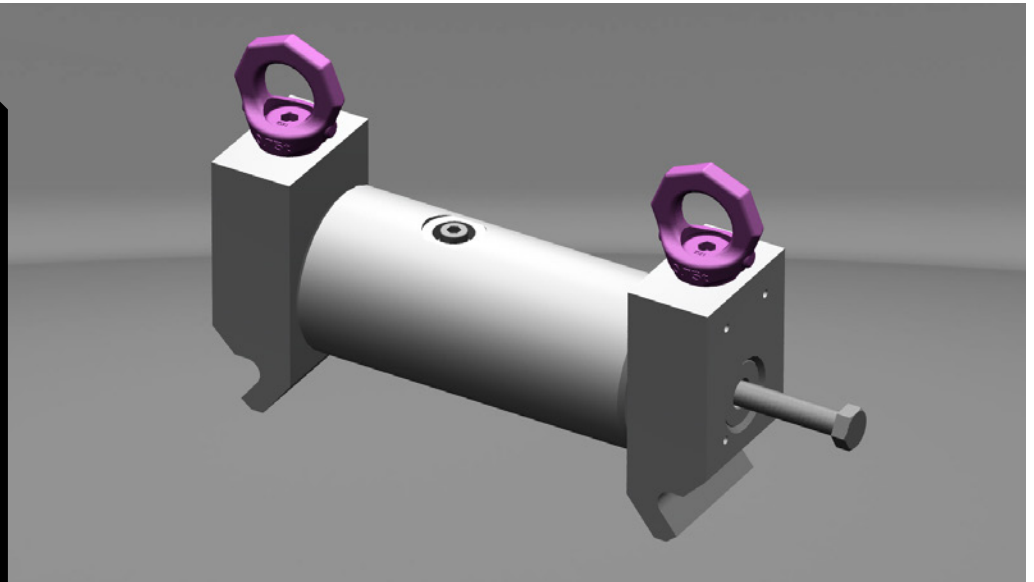
 metso.com/CrusherParts

Metso

Mantle lifting tools

Application

Exclusively designed to lift Metso manufactured wear parts for Nordberg HP and MX cone crushers.



Our crusher wear part lifting tools are designed with OEM expertise, making them the best choice to remove mantles from your Metso crushers.

Efficient crusher maintenance

Specially designed, fit-for-purpose tools makes wear part change-outs faster and more efficient. By using OEM parts, risk of damaging equipment is avoided. As a result, maintenance times are shortened and crusher downtime is reduced.

Improved safety and quality

To succeed in today's competitive environment, aggregate producers often seek to optimize their crusher maintenance. Using parts that last longer and make crusher maintenance easier and safer can make the big difference. Metso's specialty tools are developed with quality suppliers ensuring that high standards and tolerances are met.

Machine	Tool	Load limit kg	Item code
HP200, HP300, HP3, HP4	Mantle lifting tool	1,360	MM0905130
HP400, HP500, HP5, HP6	Mantle lifting tool	2,300	N90288052-SET
MX3	Mantle lifting tool	1,360	MM0906238
MX4	Mantle lifting tool	1,360	MM0905130



Benefits

- OEM design and assurance
- Improved safety and maintenance
- Reduced downtime with faster and more efficient changeouts

Read more at:

 metso.com/CrusherParts

Metso

Feed cone lifting tool

Application

Exclusively designed to lift Metso manufactured wear parts for Nordberg HP cone crushers.

Our crusher wear part lifting tools are designed with OEM expertise, making them the best choice to remove mantles from your Metso crushers.

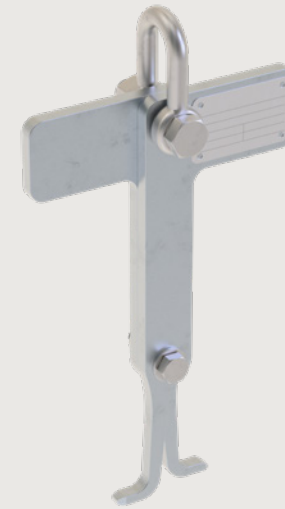


Efficient crusher maintenance

Specially designed, fit-for-purpose tools makes wear part change-outs faster and more efficient. By using OEM parts, risk of damaging equipment is avoided. As a result, maintenance times are shortened and crusher downtime is reduced.

Improved safety and quality

To succeed in today's competitive environment, aggregate producers often seek to optimize their crusher maintenance. Using parts that last longer and make crusher maintenance easier and safer can make the big difference. Metso's specialty tools are developed with quality suppliers ensuring that high standards and tolerances are met.



Machine	Tool	Load limit kg	Item code
HP100, HP200, HP200e, HP300, HP400, HP500, HP3, HP4, HP5, HP6	Feed cone lifting tool	53	MM1641014

Benefits

- OEM design and assurance
- Improved safety and maintenance
- Reduced downtime with more efficient changeouts

Read more at:
metso.com/CrusherParts

Metso

Mantle lifting tools

Application

Exclusively designed to lift Metso manufactured wear parts for Nordberg GP cone crushers.



Our crusher wear part lifting tools are designed with OEM expertise, making them the best choice to remove mantles from your Metso crushers.



Efficient crusher maintenance

Specially designed, fit-for-purpose tools makes wear part change-outs faster and more efficient. By using OEM parts, risk of damaging equipment is avoided. As a result, maintenance times are shortened and crusher downtime is reduced.

Improved safety and quality

To succeed in today's competitive environment, aggregate producers often seek to optimize their crusher maintenance. Using parts that last longer and make crusher maintenance easier and safer can make the big difference. Metso's specialty tools are developed with quality suppliers ensuring that high standards and tolerances are met.

Machine	Tool	Load limit kg	Item code
GP220	Mantle lifting tool	2,500	MM1134732
GP330	Mantle lifting tool	3,500	MM1134698
GP550 (excluding EF and F-G1015 mantles)	Mantle lifting tool	6,500	MM1134761
GP7	Mantle lifting tool	14,500	MM1172864
GP100, GP100S	Mantle nut lifting tool	35	MM1176630
GP220, GP200S, GP300S	Mantle nut lifting tool	60	MM1176657
GP330	Mantle nut lifting tool	110	MM1178283
GP550, GP500S	Mantle nut lifting tool	130	MM1176637
GP7	Mantle nut lifting tool	250	MM1231905

Benefits

- OEM design and assurance
- Improved safety and maintenance
- Reduced downtime with more efficient changeouts

Read more at:

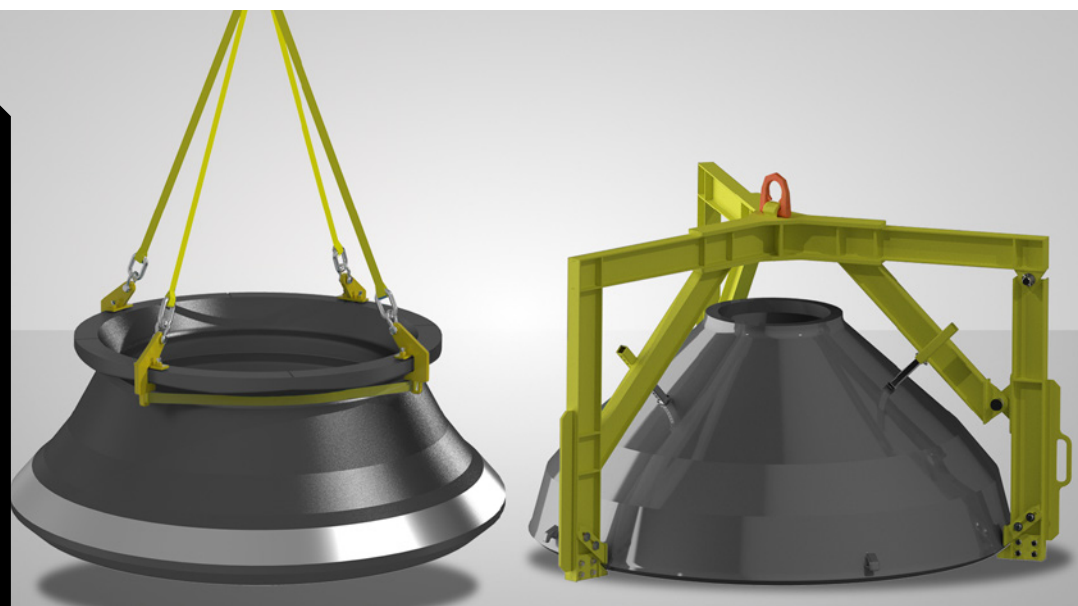
 metso.com/CrusherParts

Metso

Lifting tools for MP cone crusher wear parts

Application

Exclusively designed to lift Metso engineered and supplied crusher wear parts for MP cone crushers.



Our lifting tools for MP cone crusher wear parts are designed with OEM (Original Equipment Manufacturer) expertise, making mantle and bowl liner replacement safer, faster and more efficient.

Tools and parts from OEM

Metso's specially designed, fit-for-purpose tools make lifting the crusher wear parts more efficient. The tools are manufactured by quality suppliers, ensuring that high standards and tolerances are met. By using OEM parts, you can improve the wear lifetime through a wide range of offering and chamber optimization, and you reduce the lifting risk – in both new and worn condition. As a result, maintenance risk and times are decreased and crushing uptime is increased.

Safe and efficient crusher maintenance

MP lifting tools make the maintenance of your MP cone crusher safer and faster. The lifting tools improve the working conditions of the operator by eliminating the welding process, as there is no need for welding lugs to the wear parts. The MP lifting tools are also easy to use with any lifting crane. All the Metso manufactured MP lifting tools are quality inspected to ensure maximum performance.

Offering

Our offering includes lifting tools for both bowl liners and mantles. The tools are available for crusher wear parts for the MP800, MP1000 and MP1250 cone crushers.

Machine	Tool	Load limit kg	Item code
MP1000, MP1250	Mantle lifting tool	7,500	MM1540907
MP800	Mantle lifting tool	6,500	MM1559545
MP800, MP1000, MP1250	Bowl liner lifting tool	7,606	MM1230950

Australia

MP1000, MP1250	AU Mantle lifting tool	7,500	MM1642751
MP800	AU Mantle lifting tool	6,500	MM1642755
MP800, MP1000, MP1250	AU Bowl liner lifting tool	7,606	MM1642761



Benefits

- Improved safety
- Higher efficiency
- Allows for faster mantle and bowl liner replacement for your MP cone crusher

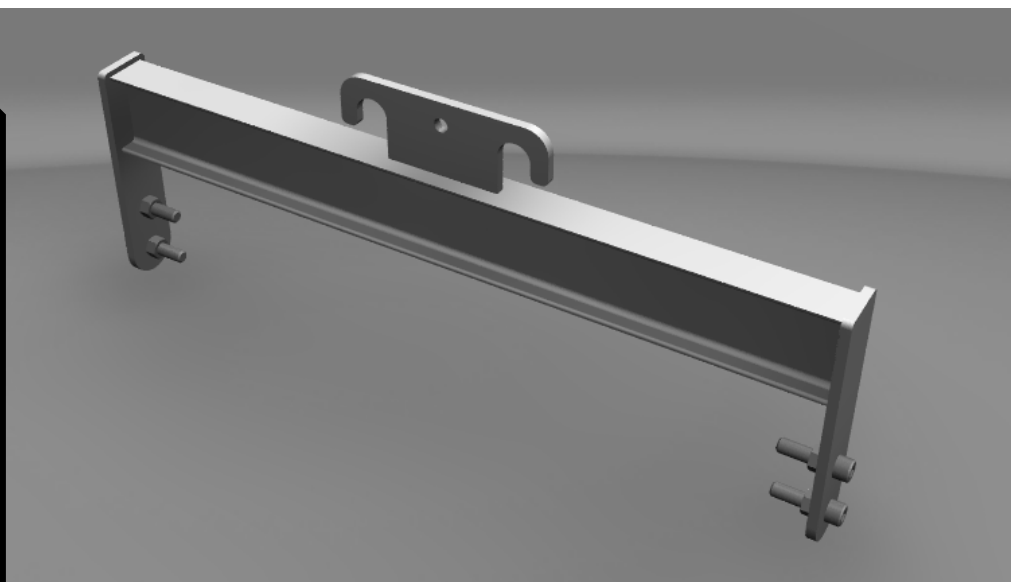
Read more at
metso.com/cone-crusher-parts

Metso

Blow bar lifting tool

Application

Exclusively designed to lift Metso manufactured wear parts for Nordberg NP impact crushers.



Our crusher wear part lifting tools are designed with OEM expertise, making them the best choice to remove hammers from your Metso crushers.

Efficient crusher maintenance

Specially designed, fit-for-purpose tools makes wear part change-outs faster and more efficient. By using OEM parts, risk of damaging equipment is avoided. As a result, maintenance times are shortened and crusher downtime is reduced.

Improved safety and quality

To succeed in today's competitive environment, aggregate producers often seek to optimize their crusher maintenance. Using parts that last longer and make crusher maintenance easier and safer can make the big difference. Metso's specialty tools are developed with quality suppliers ensuring that high standards and tolerances are met.

Machine	Tool	Load limit kg	Item code
NP1110, NP1210	Hammer lifting tool	250	7091116004
NP13, NP1213, NP1313	Hammer lifting tool	370	7091116002
NP15, NP1315, NP1415	Hammer lifting tool	500	7091116000
NP20, NP1520, NP1620	Hammer lifting tool	800	7091116003

Read more at:

 metso.com/CrusherParts



Benefits

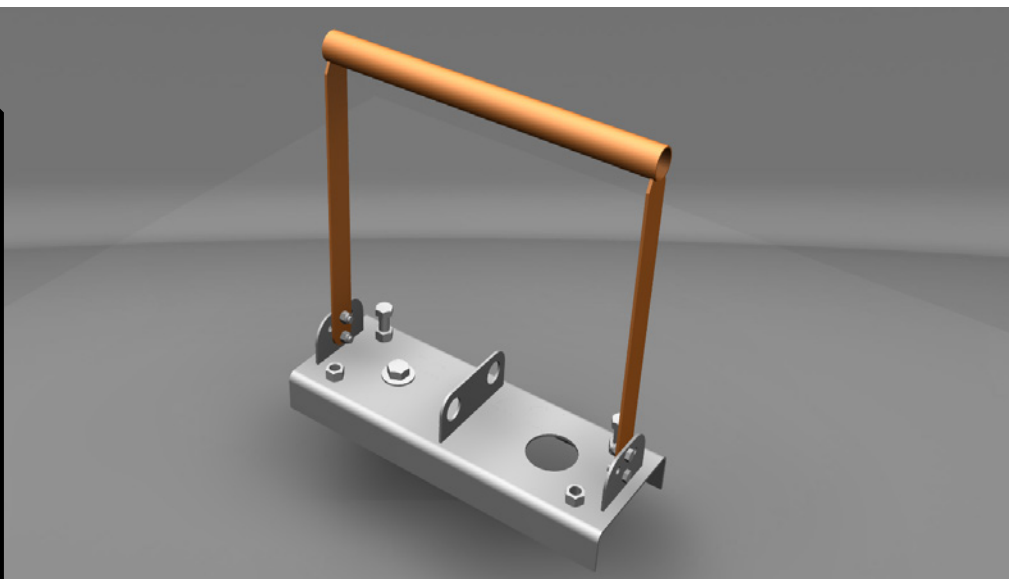
- OEM design and assurance
- Improved safety and maintenance
- Reduced downtime with faster and more efficient changeouts

Metso

Breaker plate liner lifting tools

Application

Exclusively designed to lift Metso manufactured wear parts for Nordberg NP impact crushers.



Our crusher wear part lifting tools are designed with OEM expertise, making them the best choice to remove breaker plate liners from your Metso crushers.

Efficient crusher maintenance

Specially designed, fit-for-purpose tools makes wear part change-outs faster and more efficient. By using OEM parts, risk of damaging equipment is avoided. As a result, maintenance times are shortened and crusher downtime is reduced.

Improved safety and quality

To succeed in today's competitive environment, aggregate producers often seek to optimize their crusher maintenance. Using parts that last longer and make crusher maintenance easier and safer can make the big difference. Metso's specialty tools are developed with quality suppliers ensuring that high standards and tolerances are met.

Read more at:



metso.com/CrusherParts

Machine	Tool	Load limit kg	Item code
NP1110, NP20, NP1520, NP1620	Breaker plate liner lifting tool	150	N91080041
NP1213, NP1313	Breaker plate liner lifting tool	80	N91080042
NP13	Breaker plate liner lifting tool	80	MM0905503
NP15, NP1315, NP1415	Breaker plate liner lifting tool	150	N91080043



Benefits

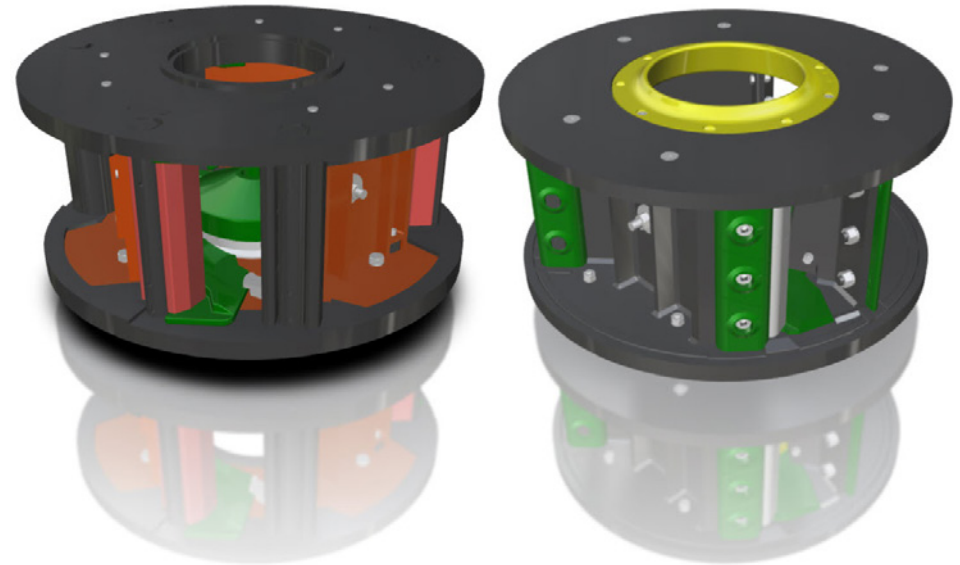
- OEM design and assurance
- Improved safety and maintenance
- Reduced downtime with faster and more efficient changeouts

Metso

Rotor lifting plate for Barmac® impact crushers

Application

Exclusively designed to lift Metso manufactured rotors for Barmac® vertical shaft impact (VSI) crushers.



Our rotor lifting plates are designed with OEM expertise, making them the best choice to lift the rotor from your Metso Barmac® vertical shaft impact (VSI) crusher.

Tools and parts from OEM

Metso's specially designed, fit-for-purpose tools make lifting the wear parts safer, faster, and more efficient. They are also developed with quality suppliers ensuring that high standards and tolerances are met. By using OEM parts, you improve the wear lifetime, and avoid the risk of damaging equipment. As a result, maintenance times are shortened, and crusher downtime is reduced.

Safe and efficient crusher maintenance

Rotor lifting plate makes the maintenance of your Barmac® vertical shaft impact crusher safer and more efficient. It not only lifts the rotor from the crusher, but it also safely forces the rotor from the taper lock. All of the Metso manufactured rotor lifting plates are load tested.

Read more at metso.com/ImpactCrusherParts



Lifting tool suitability for each Barmac® crusher model

Lifting tool	Model	Load limit kg
B48AS13B	B4800 B5000 B5100 B5100SE	500
B69AS12C	MkI Rotopactor MkI Duopactor B6000 B6100 B6150SE B7000 B7100	1,000
B96AS12C	MkII Rotopactor MkII Duopactor MkIII Duopactor B7150SE B8000 B8100 B9000 B9100 B9100SE	1,000

Metso

Crusher wears solutions

Lifting tools for primary crusher concaves



Application

Suitable for lifting any brand of concaves. Carousels can be designed for concaves with threaded lifting insert, or for concaves with cast lifting lug.

Designed to work with Metso and third-party concaves, these lifting tools allow you to replace concaves faster and with fewer potentially hazardous lifts. They include concaves installation carousels and removal trays.

Investment in safety

Using high quality, fit-for-purpose maintenance tools is an investment in the safety of your staff. We have designed our PG concaves installation carousels and trays to minimize your risks. Our experience shows that customers have reduced their injury exposure by up to 95% by using our concaves lifting tools. In addition, they have performed the liner change-out up to 50% faster, translating into increased uptime for their operation.

OEM quality and back-up

The PG lifting tools by Metso meet strict global safety standards. They have gone through extensive product development and field-tests at customer sites. The tools come with detailed instruction manuals, and our experts are there to support you when needed.

How does it work?

Instead of working with one concave at a time, Metso Primary Gyratory lifting tools enable you to remove or install several concaves simultaneously. The removal tray allows you to remove several worn concaves at once. Similarly, the new concaves are pre-installed in the carousel, and the entire concave row (or tier) is moved into the crusher safely at the same time.

Real life benefits from PG lifting tools

Kolomela mine reduces liner replacement downtime and improves safety using the concave carousel and removal trays system.

Careful planning ensures safe, efficient maintenance shutdown at Boliden Kevitsa.

Contact our sales today
metso.com/contact



Benefits

- Improved employee safety due to fewer lifts needed and the use of fit-for-purpose tools
- Increased uptime thanks to faster liner replacement
- Backed up by OEM

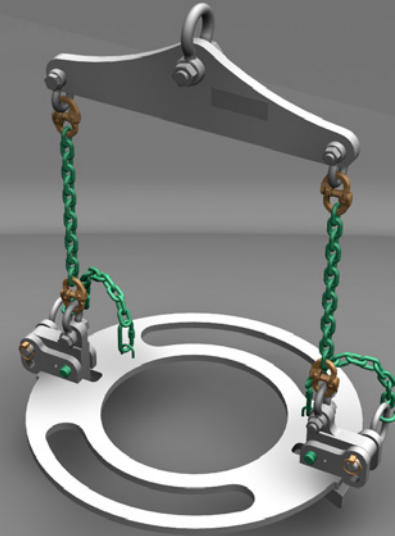
Metso

Metso Contender™ Series

Mantle lifting tools

Application

Exclusively designed to lift Metso manufactured wear parts for Sandvik CH-series cone crushers.



Our crusher wear part lifting tools are designed with Metso's design expertise, making them the best choice to remove Metso supplied mantle liners from your CH-series cone crushers.



Efficient crusher maintenance

Metso takes an OEM approach to the design and fabrication of quality liners for both Metso and 3rd party crushers, ensuring your wear parts will perform to the most demanding standards. Metso engineered wear parts for CH range crushers are now further complemented with new lifting tools engineered by Metso. The lifting tools have been developed to be used with Metso liners for CH cones, and are built to make wear part change outs faster and to improve the safety of your teams.

Improved safety and quality

To succeed in today's competitive environment, aggregate producers often seek to optimize their crusher maintenance. Using parts that last longer and make crusher maintenance easier and safer can make the big difference. Metso's specialty tools are developed with quality suppliers and materials, ensuring that high standards and tolerances are met.

Machine	Tool	Load limit kg	Item code
CH430 (H3000)	Mantle lifting tool	2,500	MM1230512
CH440 (H4000)	Mantle lifting tool	4,200	MM1218198
CH660 (H6000)	Mantle lifting tool	7,000	MM1230513

Benefits

- High quality design using our OEM know-how
- Improved safety and maintenance
- Reduced downtime and more efficient change-outs

More information on crusher parts at:

 metso.com/CrusherParts

